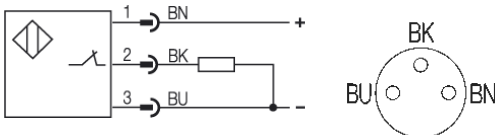
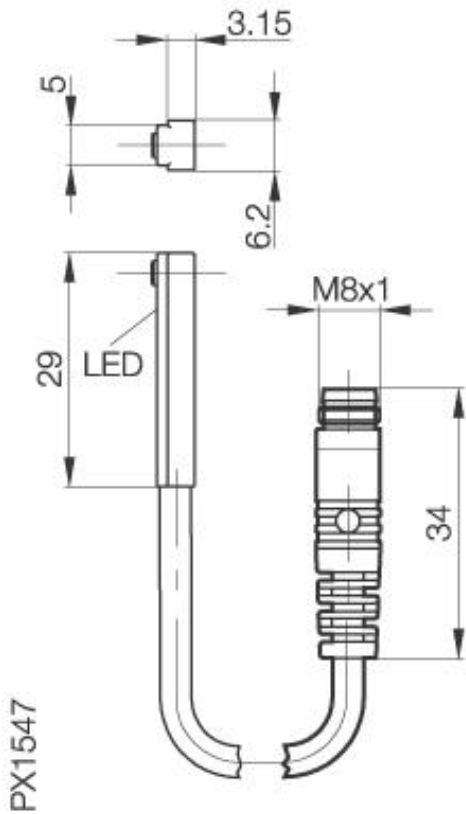


Magnetic Field Sensors BMF 307K-PO-C-2-S49- 29x6,2x4,4 Short circuit protection



Common Data

| | |
|----------------------------------|---------------|
| Rated operating field strength | 1,2kA/m |
| Assured operating field strength | 2kA/m |
| Repeatability R | 1% v. Hn |
| Hysteresis | 45% v. Hn |
| Function indication | yes |
| Ambient temperature range | -25...+70°C |
| Temp.Drift from Switch. Pnt | 0,3%/°C v. Hn |

Mechanical Data

| | |
|-----------------------------|--------------------------|
| Measurements BxHxT oder DxT | 29x6,2x4,4mm |
| Tightening torque | 10Ncm |
| Housing material | LCP |
| Material of sensing face | LCP |
| Degree of protection | IP67IP |
| Connection | Cable with Connector S49 |
| Cable type | LifY-Y-11Y |

Electrical Data

| | |
|-------------------------------------|-----------------|
| Current type | DC |
| Wiring | 3-Wire |
| switching function | normally-closed |
| Output signal | PNP |
| Rated operational voltage | 24 DCV |
| Rated operational current | 200mA |
| Supply voltage | 10...30V |
| Ripple | ≤15% v. Ub |
| Rated supply frequency | DCHz |
| No-load supply current | ≤30/≤10mA |
| Off-state current | ≤ 80µA |
| Maximum operational current | 200mA |
| Voltage drop | ≤ 3.1V |
| Switch-On-Delay | 0,05ms |
| Switch-Off-Delay | 0,05ms |
| Short circuit protection | yes |
| Protected against polarity reversal | yes |



Datasheet number:

Definitions see general catalog.

If not otherwise noted, ratings according to IEC 60947-5-2 (DIN EN60947-5-2)

Balluff GmbH
Schurwaldstrasse 9
73765 Neuhausen a.d.F.
Phone (07158) 173-0 Fax (07158) 5010

Datenblatt by CD-ROM - 04/2007

BALLUFF
sensors worldwide